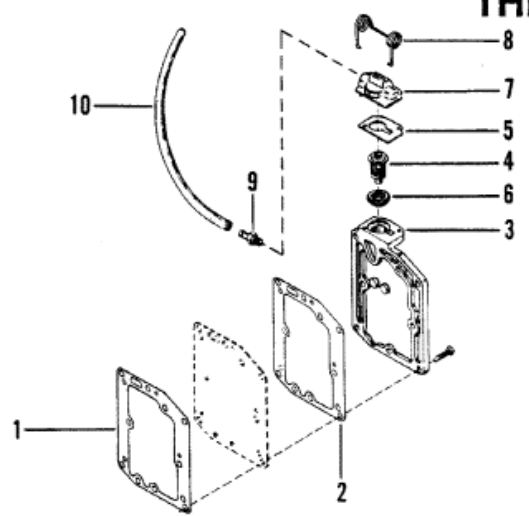


**THERMOSTAT ASSEMBLY**



Parts List						
Ref	Class	Part	Description	Qty	Comment	Footnote
-		89013A 2	THERMOSTAT ASSEMBLY	1		
1	27	41383	GASKET	1		
2	27	89014	GASKET	1		
3		89013A 1	COVER	1		
4		75692	THERMOSTAT	1		
5	27	88346	GASKET	1		
6	27	62386	GASKET	1		
7		85920	COVER	1		
8	24	88464	SPRING	1		
9	22	29111	CONNECTOR	1		
10	32	99127109	HOSE	1		